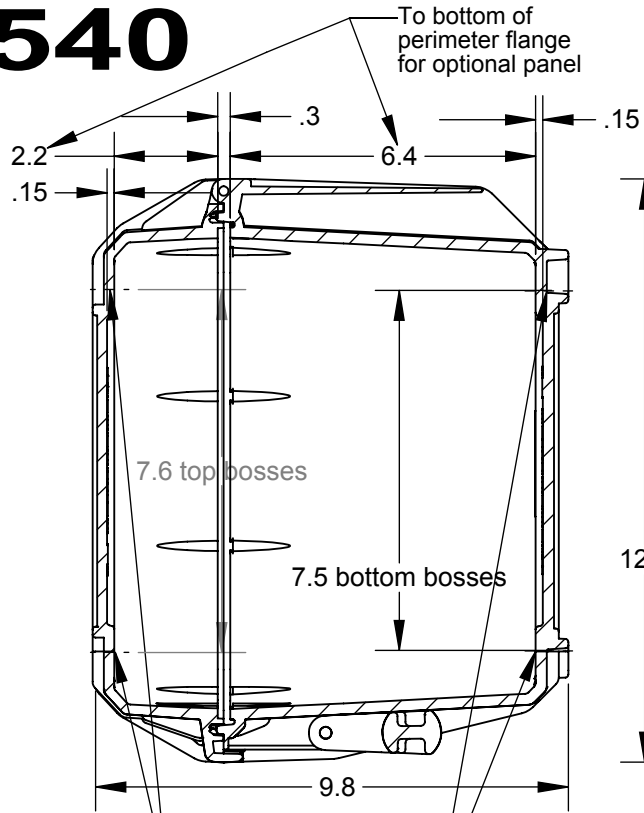
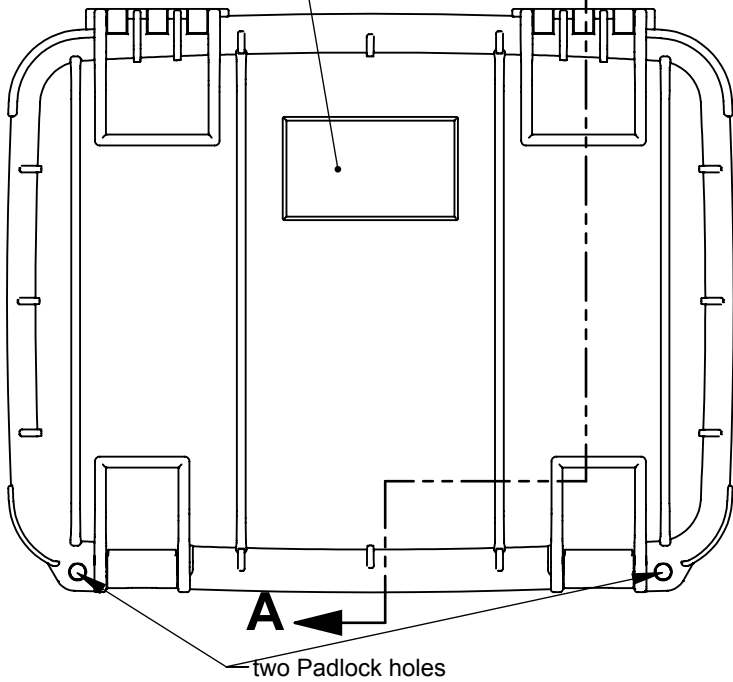
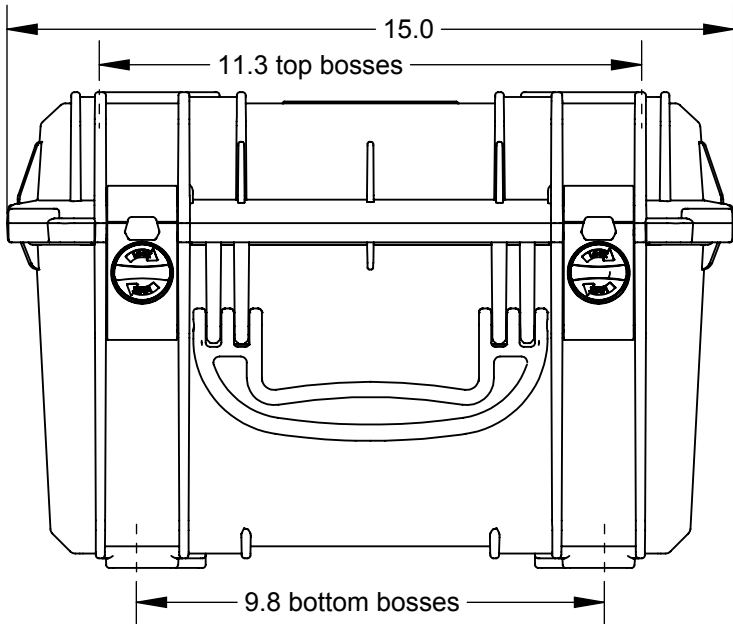
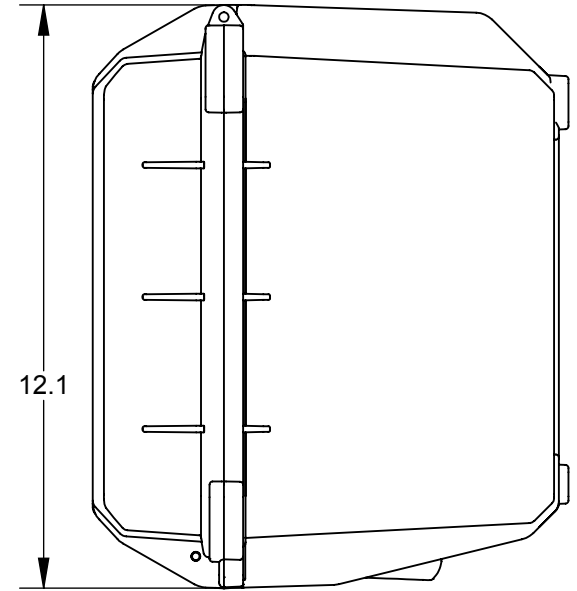


3.5" X2.0" label area

A



SECTION A_A
for 1/4 self tapping screw



NOTES:

- 1) Max. usable inside dimensions are:
13 1/2" X 9 13/16" X 8 3/8"
- 2) Bosses on top and bottom use a 1/4 self tapping screw.